

Product Specifications - Application Features

Premium-grade, recessed, lay-in direct/indirect coffered T-Bar troffer with modern styling and high visual comfort. For use with indoor applications where low-glare, high-quality and ease of installation are required. This luminaire comes with split basket-shaped perforated metal shield which is secured in place with spring latches.



Product Specifications

Optical System

Split shields are perforated for direct and indirect illumination and contain a translucent white opal acrylic overlay. Indirect reflectors are precision formed and contoured to provide soft, low-glare, indirect illumination, while maintaining high-efficiency and a wide uniform lighting distribution.

Mounting

This luminaire has been specifically designed for T-Bar applications. Holes provided for chain-mounting support to building structure. Integral earthquake clips.

Construction

Die-formed and riveted, heavy-gauge steel housing assembly. Precision-formed steel reflector. Die-formed, perforated cold rolled steel shielding. Metal shielding flexes over mounting studs on housing, for easy installation and re-lamping. Wiring access plate and knockouts are provided on back of housing.

Finish

White polyester powder painted visible surfaces.

Electrical

Rotary lampholders ensure positive lamp retention. All electrical components are CSA approved or UL listed. See product selection for optional ballasts. Sufficient knockouts are provided for connections and through wiring.

Approvals

Approved to CSA and UL standards (UL, or equivalent, marked only when specified).

Notes

Product Features

- Available with 1, 2 or 3 lamps
- Split, basket-shaped perforated metal shield
- Translucent, opal white acrylic diffuser overlay
- Available in 2 x 2 and 2 x 4 configurations
- Available in T5, T8 and PLL/Biax configurations

Options & Adders

- Lamps available (please specify colour temperature and wattage)
- Multi-level switching
- Dimmable ballast
- Emergency ballast
- Radio interference filter (120V - 277V)
- 2 x 2 and 2 x 4 flange kits available (see page 243)
- Non-perforated matte white shield
- 20 gauge riveted or welded construction
- Flexible metal whip - 6 foot x 3/18 gauge conductors
- Modular wiring system (consult factory)

Applications

- Classrooms
- Corridors
- Office Areas
- Retail Stores & Supermarkets



*Certain features and configurations may not be available. Consult the factory for more information.

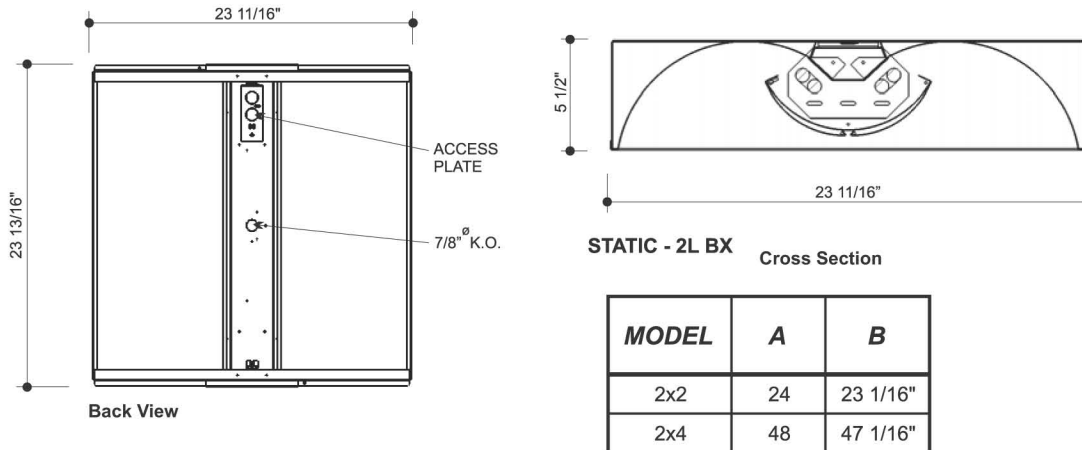
TDCS - Troffer Dish Centre Split

Premium-Grade Recessed Direct/Indirect Centre Split T-Bar Luminaire

Photometrics - Please consult www.viscor.com for photometric results.

ProductDetails

Dimensions



Ordering

Ordering Code: TDCS [] [] - [] [] [] [] - [] Options

- Size (Width x Length)**: 2x2, 2x4
- No. of Lamps**: 1L, 2L, 3L
- Lamp Watts**: See Table below
- Lamp Type**: T5, T5HO, T8, PLL
- Voltage**: 120 - 120V, 347 - 347V, UNV - 120-277V, UN4 - 347-480V
- Ballast Type**: N - Instant Start, P - Prog. Start, R - Rapid Start
- Air Handling Options**:
 - A1 Air Supply/return Slots
- Ballast Options** (See Option Code Section For More Information):
 - B01 Ballast Disconnect - In-line Power Disconnect (CSA-UL Req'd For Voltages above 150v)
 - B02 Dimming Addressable Digital (dali)
 - B03 Dimming Low Voltage
 - B04 Dimming Line Voltage
 - B08 Ballast - High Ballast Factor
 - B09 Ballast - Low Ballast Factor
 - B30 Emergency USA Lighting Battery Pack (Spec Grade)
 - B33 Emergency USA Lighting Battery Pack 1-lamp
 - B34 Emergency USA Lighting Battery Pack 2-lamp
- Housing Construction Options**:
 - C06 Housing 20 Gauge Riveted
 - C07 Housing 20 Gauge Welded
 - C25 Shield Non-Perforated Matte White
- Packaging Options**:
 - K0 Bulk Pack
- Fusing and Breaker Options (select one only)**:
 - T5 Fuseholder, In-line Double Pole
 - T6 Fuseholder, In-line Single Pole
- Wiring Options**:
 - V05 Cord And Plug Set Three Wire (standard 10' X 3-18 Ga.)
 - V09 Flexible Whip (standard 6' X 3-18 Ga.)
 - V19 Modular Wiring System. (consult Factory.)
 - V25 Radio Frequency Filter
- Approval and Rating Options**:
 - X6 USA Market
 - X7 CSA and USA Market

Note: For recessed drywall applications use either a 2x2 or 2x4 flange kit (page 243).

Example:

TDCS2x42L-T832PUNV-B01

Lamp Watts

Size	Nom. Lamp Watts			
	T5	T5HO	T8	PLL/Biax
2x2	14	24	17	40, 50 55
2x4	28	54	32	40, 50, 55

Certain configurations may not be available. Consult the factory for more information.

Note: For recessed drywall applications, use either a 2x2 or 2x4 flange kit (p.237).

X = Standard Option
Other options may be available.