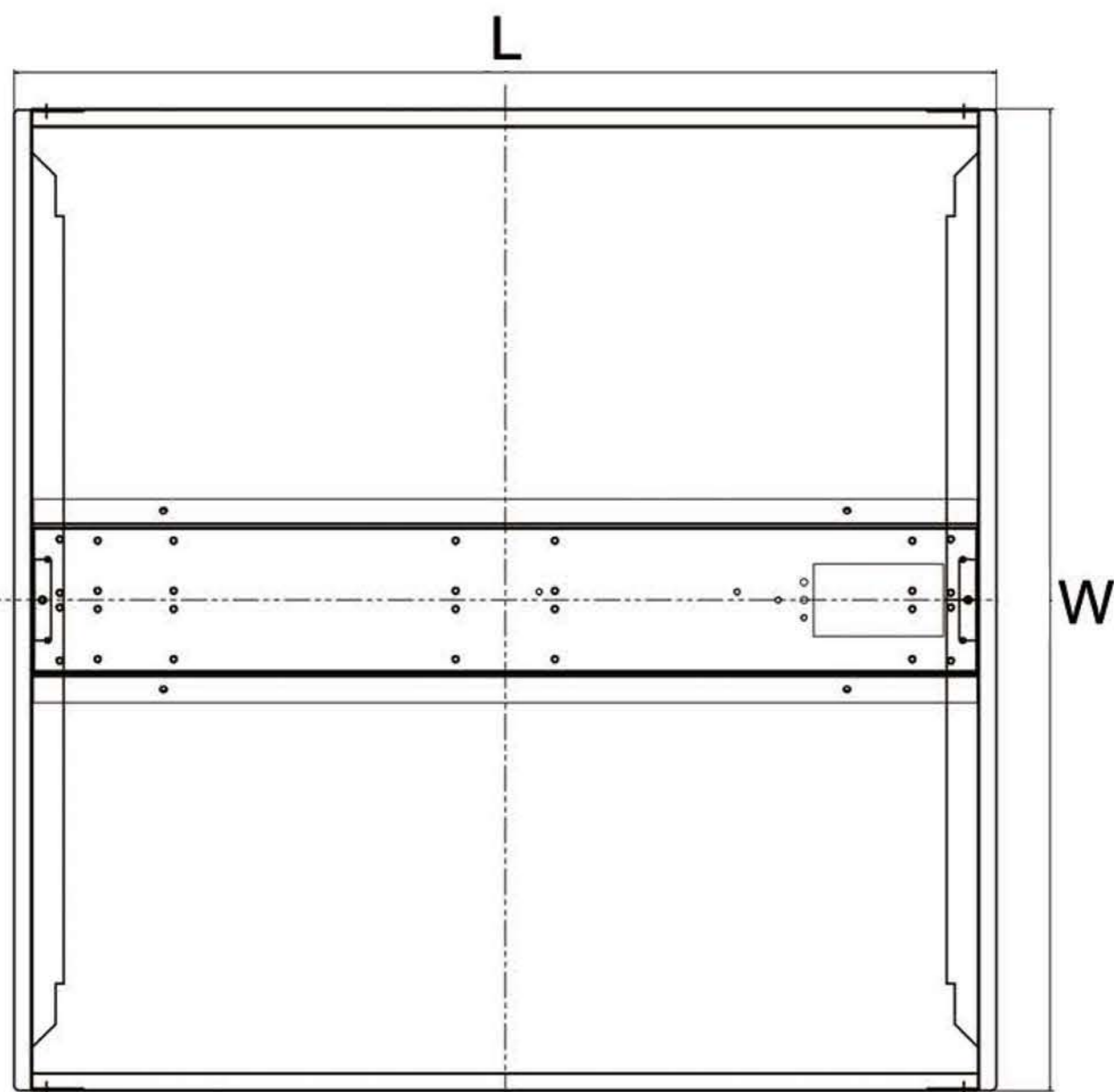


LED CENTER BASKET 2X2



Specification

Model	Length	Width	Depth
LEDCBM	605mm(23.8")	605mm(23.8")	105mm(4.1")
LEDCBM	605mm(23.8")	605mm(23.8")	105mm(4.1")



OVERVIEW

This series is shallow dual center baskets(ETLDI03)LED recessed direct/indirect,more energy saving,longer lifespan,better CRI compared T5 lighting system.High performance lay-in covered high T-bar with modern styling and high visual comfort.High transparency diffuse,white translucent inlay for visual comfort. Ribbed linear diffuser provides more light and a fresh look.

FEATURE&SPECIFICATION

- Die formed of 24 guage cold-rolled steel body.
- High reflectance baked white acrylic matte paint finish.High reflectance white interior.The shield conceals lamp image.
- All steel surface are painted after fabrication with high gloss baked white matte power painted.
- Swing down diffuser len for easy relamping and maintenance.
- Diffusing lens give soft even light.
- Fully recessed luminaire fits standard T-Grid ceilings
- LED modules/drivers
- 2pcs 2ft long LED modules
- All electrical components are UL/CUL approved,Input Voltage from 120/277V,Output Voltage Class 2 from 27-54V
- UL/CUL,DLC,Lighting Facts Listed
- 5 years warranty

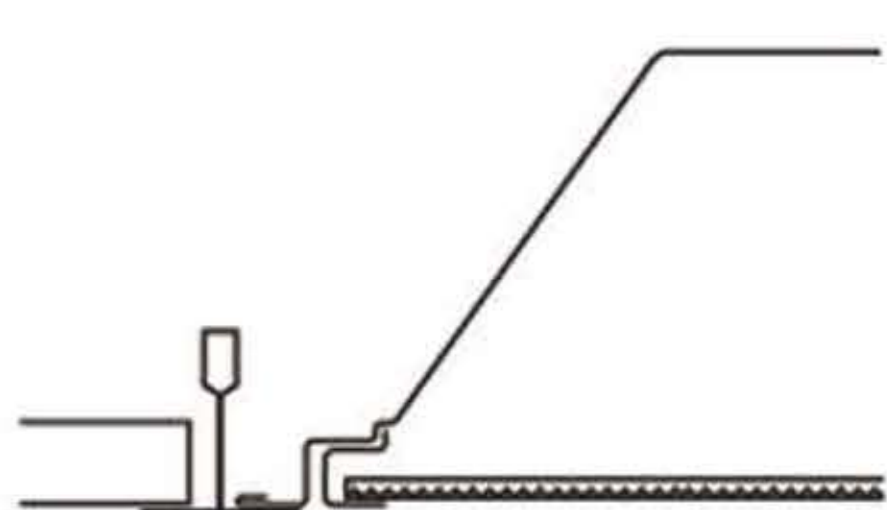
APPLICATIONS

For use in commercial and industrial applications.

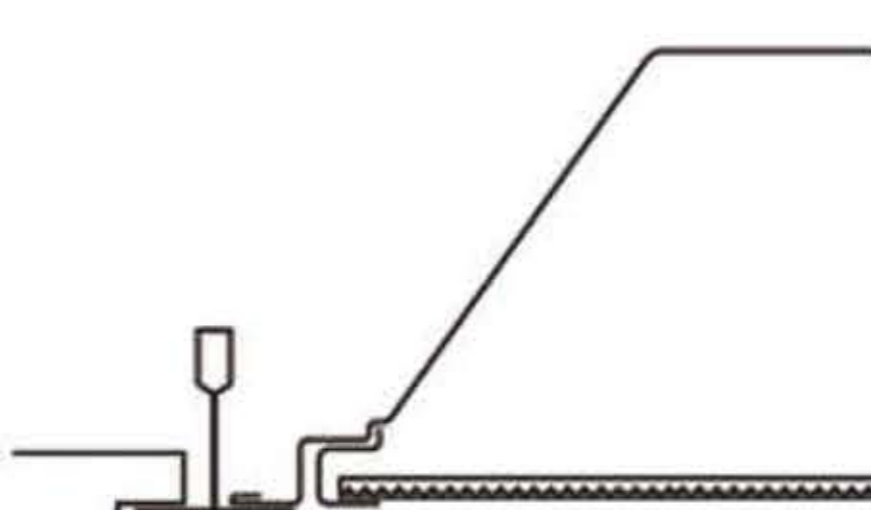
Model	Input Power	Lumen Output	Luminaire Efficacy	CRI	CCT
LEDCBM	36W	3563.3 LM	100.1 LM/W	>80	3000K,3500K,4000K,5000K
LEDCBM	24W	2348.5 LM	99.5 LM/W	>80	3000K,3500K,4000K,5000K

Installation

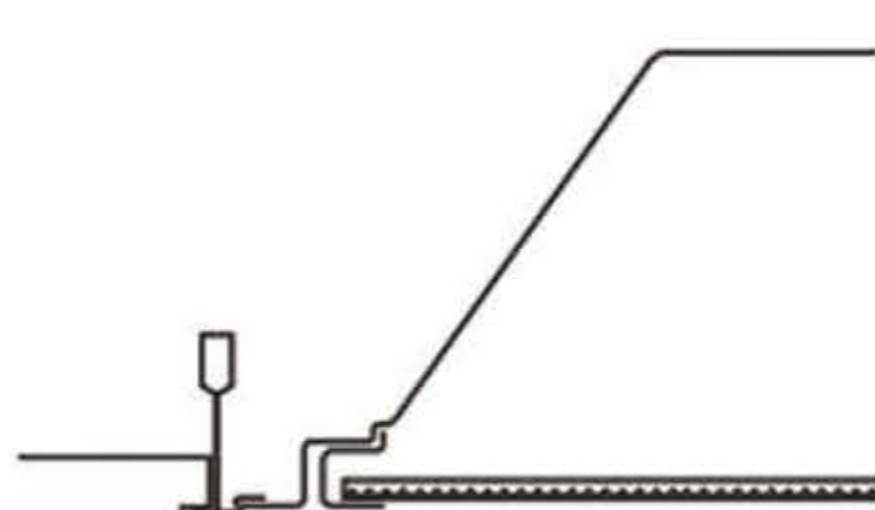
G
Grid/Lay-in
Standard



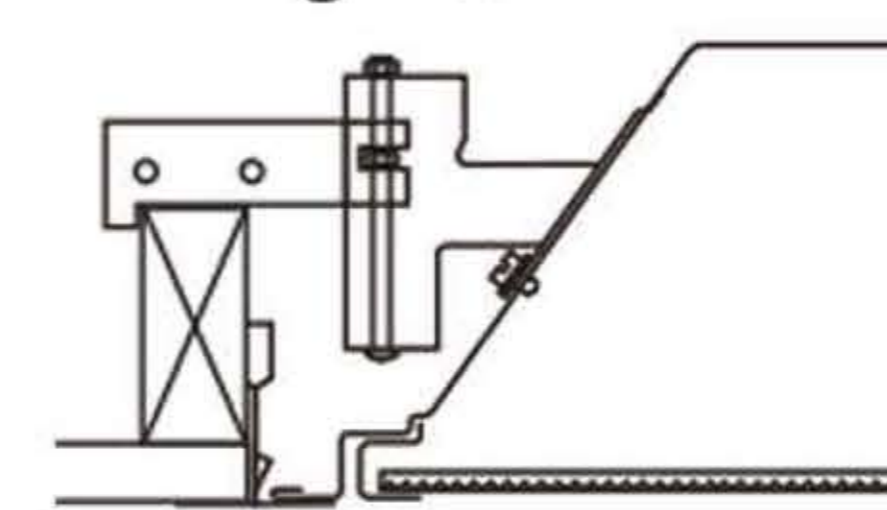
G
Concealed T



G
Slot Grid



F
Flange Trim
With Supporting
Swing Gates



Ceiling Type	Trim Type
Exposed Grid	G
Concealed T	G
Slot Grid	G
Flange	G***

*Standard G (Grid) Type Fixtures can be field converted by adding trim kits. See Compatibility Section or Consult Factory.

***When ordering Flange Kit for installation in drywall ceilings, see options and accessories compatibility section and ordering logic.